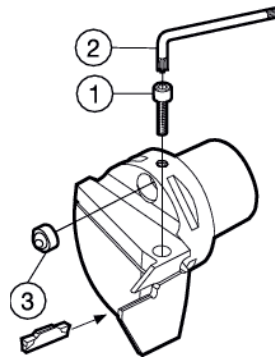
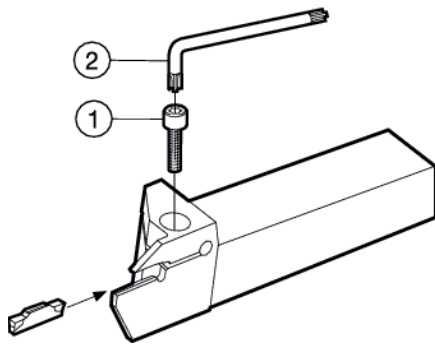


CoroCut® Schraubspannung, Außenbearbeitung



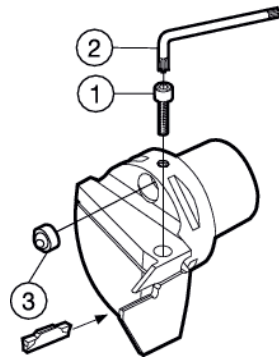
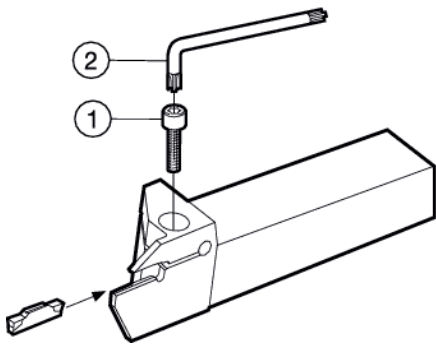
Düse für Coromant Capto Capto® Schneidköpfe

NF 123 Schneidkopfgröße	3 Düse
C3-C4	5691 029-01
C5-C6	5691 029-02
R/L 123	
C3-C4	5691 029-06
C5-C6	5691 029-02

Schafthalter	Coromant Capto®	1	2
Metrisch	Zoll	Spannschraube	Schlüssel (Torx Plus)
	C3-NF123 G20-00060B C4-NF123 G20-00070B C5-NF123 G20-00070B C6-NF123 G20-00075B	3212 012-310	5680 043-15 (25IP)
NF123J25-2525BM NF123J25-3225BM		5512 044-01 ¹⁾	5680 043-17 (30IP)
	C4-NF123 J25-00077B C5-NF123 J25-00077B C6-NF123 J25-00082B	3212 012-360	5680 043-17 (30IP)
R/LF123D08-1212B	R/LF123D032-08B	3212 012-257	5680 043-14 (20IP)
R/LF123D08-1616B	R/LF123D032-10B	3212 012-259	5680 043-14 (20IP)
R/LF123D08-2020B	R/LF123D032-12B		
R/LF123D08-2525B	R/LF123D032-16B		
R/LF123D10-1010B-S	R/LF123D039-06B-S	5513 021-07	5680 043-13 (15IP)
R/LF123D11-1212B-S	R/LF123D043-08B-S	5513 021-07	5680 043-13 (15IP)
R/LF123D15-1616B	R/LF123D059-10B	C3-R/LF123 D15-22050B	3212 012-259
R/LF123D15-2020B	R/LF123D059-12B	C4-R/LF123 D15-27055B	
R/LF123D15-2525B	R/LF123D059-16B	C5-R/LF123 D15-35055B	
R/LF123E08-1212B	R/LF123E032-08B	3212 012-257	5680 043-14 (20IP)
R/LF123E08-1616B	R/LF123E032-10B	3212 012-259	5680 043-14 (20IP)
R/LF123E08-2020B	R/LF123E032-12B		
R/LF123E08-2525B	R/LF123E032-16B		
R/LF123E10-1010B-S	R/LF123E039-06B-S	5513 021-07	5680 043-13 (15IP)
R/LF123E11-1212B-S	R/LF123E043-08B-S	5513 021-07	5680 043-13 (15IP)
R/LF123E12-1212B		3212 012-257	5680 043-14 (20IP)
	R/LF123E059-08B	3212 012-257	5680 043-14 (20IP)
R/LF123E15-1616B	R/LF123E059-10B	C3-R/LF123 E15-22055B	3212 012-259
R/LF123E15-2020B	R/LF123E059-12B	C4-R/LF123 E15-27055B	
R/LF123E15-2525B	R/LF123E059-16B	C5-R/LF123 E15-35060B	
R/LF123E17-1616B-S	R/LF123E067-10B-S	5513 021-04	5680 043-13 (15IP)
R/LF123E17-2020D	R/LF123E067-12D	3212 012-257	5680 043-14 (20IP)
R/LF123F10-1212B		3212 012-257	5680 043-14 (20IP)
R/LF123F10-1616B		3212 012-259	5680 043-14 (20IP)
R/LF123F10-2020B			
R/LF123F10-2525B			
R/LF123F17-1616B-S	R/LF123F067-10B	5513 021-04	5680 043-13 (15IP)
R/LF123F17-2020D	R/LF123F067-12D	3212 012-257	5680 043-14 (20IP)
R/LF123F17-2525D	R/LF123F067-16D		
R/LF123F20-1616B	R/LF123F040-10B	C3-R/LF123 F20-22055B	3212 012-259
R/LF123F20-2020B	R/LF123F040-12B	C4-R/LF123 F20-27060B	
R/LF123F20-2525B	R/LF123F040-16B	C5-R/LF123 F20-35060B	
R/LF123F20-3225B	R/LF123F040-20B		
	R/LF123F079-10B	3212 012-259	5680 043-14 (20IP)
	R/LF123F079-12B		
	R/LF123F079-16B		
	R/LF123F079-20B		
R/LF123G07-2525C	R/LF123G028-16C	3212 012-310	5680 043-15 (25IP)
R/LF123G10-1616B		3212 012-309	5680 043-15 (25IP)
R/LF123G10-2020B	R/LF123G040-12B	3212 012-310	5680 043-15 (25IP)
R/LF123G10-2525B	R/LF123G040-16B		
R/LF123G10-3225B	R/LF123G040-20B		
	R/LF123G040-24B		
R/LF123G12-1212B		3212 012-257	5680 043-14 (20IP)
R/LF123G12-2525B-034B	R/LF123G047-016B-034B	3212 012-310	5680 043-15 (25IP)
R/LF123G12-2525B-038B	R/LF123G047-016B-038B		

1) Für Halter ohne M in der Bestellnummer, Schraube 3212 012-360 verwenden

CoroCut® Schraubspannung, Außenbearbeitung



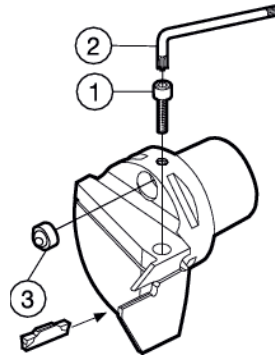
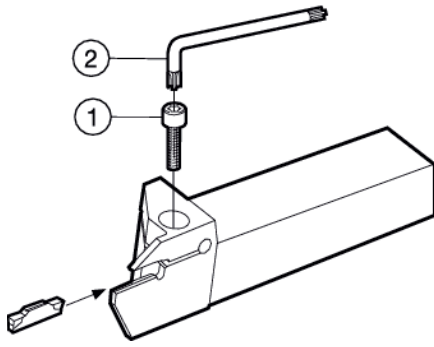
Düse für Coromant Capto Capto®
 Schneidköpfe

Schneidkopfgröße	3 Düse
C3-C4	5691 029-06
C5-C6	5691 029-02

Schaffhalter	Coromant Capto®	1	2
Metrisch	Zoll	Spannschraube	Schlüssel (Torx Plus)
R/LF123G12-2020B-034B	R/LF123047-12B-034B	3212 012-310	5680 043-15 (25IP)
R/LF123G12-2020B-038B	R/LF123047-12B-038B		
R/LF123G13-2020B-042B	R/LF123050-12B-042B		
R/LF123G13-2020B-054B	R/LF123050-12B-054B		
R/LF123G13-2020B-067B	R/LF123050-12B-067B		
R/LF123G13-2020B-090B	R/LF123050-12B-090B		
R/LF123G13-2020B-130B	R/LF123050-12B-130B		
R/LF123G17-1616B-S	R/LF123G067-010B-S	5513 021-04	5680 043-13 (15IP)
R/LF123G19-2525B-042B	R/LF123G075-16B-042B	3212 012-310	5680 043-15 (25IP)
R/LF123G19-2525B-054B	R/LF123G075-16B-054B		
	R/LF123G075-16B-067B		
R/LF123G20-1616B		3212 012-309	5680 043-15 (25IP)
R/LF123G20-2020B	R/LF123G079-12B	C3-R/LF123 G20-22055B	3212 012-310
R/LF123G20-2525B	R/LF123G079-16B	C4-R/LF123 G20-27060B	5680 043-15 (25IP)
R/LF123G20-3225B	R/LF123G079-20B	C5-R/LF123 G20-35060B	
R/LF123G20-3232B	R/LF123G079-24B	C6-R/LF123 G20-45065B	
R/LF123G22-2020D	R/LF123G087--12D		
R/LF123G22-2525D	R/LF123G087--16D	32312 012-310	5680 043-15 (25IP)
R/LF123G22-2525B-067B			
R/LF123G22-2525B-090B	R/LF123G087-16B-090B		
R/LF123G22-2525B-130B	R/LF123G087-16B-130B		
R/LF123H13-1616B		3212 012-309	5680 043-17 (30IP)
R/LF123H13-2020BM	R/LF123H051-12BM	5512 044-01 ¹⁾	5680 043-17 (30IP)
R/LF123H13-2525BM	R/LF123H051-16BM		
R/LF123H13-3225BM	R/LF123H051-20BM		
R/LF123H13-3232BM	R/LF123H051-24BM		
R/LF123H13-2020B-040BM	R/LF123H050-16B-040BM	5512 044-01	5680 043-17 (30IP)
R/LF123H13-2020B-052BM	R/LF123H050-16B-052BM		
R/LF123H13-2020B-064BM	R/LF123H050-16B-064BM		
R/LF123H13-2020B-092BM	R/LF123H050-16B-092BM		
R/LF123H13-2020B-132BM	R/LF123H050-16B-132BM		
R/LF123H13-2020B-220BM	R/LF123H050-16B-220BM		
	R/LF123H050-16B-300BM		
R/LF123H20-2525B-040BM	R/LF123H079-16B-040BM	5512 044-01 ¹⁾	5680 043-17 (30IP)
R/LF123H20--2525B-052BM	R/LF123H079-16B-052BM		
R/LF123H22-2020D	R/LF123H087-12D	5512 044-01	5680 043-15 (25IP)
R/LF123H22-2525D	R/LF123H087-12D	5512 044-01	5680 043-17 (30IP)
R/LF123H25-1616B		C3-R/LF123 H20-22060B	3212 012-360
		C4-R/LF123 H25-27067B	5680 043-17 (30IP)
		C5-R/LF123 H25-35060B	
		C6-R/LF123 H25-45065B	
R/LF123H25-2020BM	R/LF123H098-12BM	5512 044-01 ¹⁾	5680 043-17 (30IP)
R/LF123H25-2525BM	R/LF123H098-16BM		
R/LF123H25-3225BM	R/LF123H098-20BM		
R/LF123H25-3232BM	R/LF123H098-24BM		
R/LF123H25-2525B-064BM	R/LF123H100-16B-064BM	5512 044-01 ¹⁾	5680 043-17 (30IP)
R/LF123H25-2525B-092BM	R/LF123H100-16B-092BM		
R/LF123H25-2525B-132BM	R/LF123H100-16B-132BM		
R/LF123H25-2525B-220BM	R/LF123H100-16B-220BM		
R/LF123H25-2525B-300BM	R/LF123H100-16B-300BM		
R/LF123J13-2020BM		5512 044-01 ¹⁾	5680 043-17 (30IP)
R/LF123J13-2525BM	R/LF123J051-16BM	5512 044-01 ¹⁾	5680 043-17 (30IP)
R/LF123J13-3225BM	R/LF123J051-20BM		
R/LF123J13-3232BM	R/LF123J051-24BM		
R/LF123J13-2525-040BM	R/LF123J050-16B-040BM	5512 044-01	5680 043-17 (30IP)
R/LF123J13-2525-060BM	R/LF123J050-16B-060BM		
R/LF123J13-2525-085BM	R/LF123J050-16B-085BM		
R/LF123J13-2525-120BM	R/LF123J050-16B-120BM		
R/LF123J13-2525-175BM	R/LF123J050-16B-175BM		

¹⁾ Für Halter ohne M in der Bestellnummer, Schraube 3212 012-360 verwenden

CoroCut® Schraubspannung, Außenbearbeitung



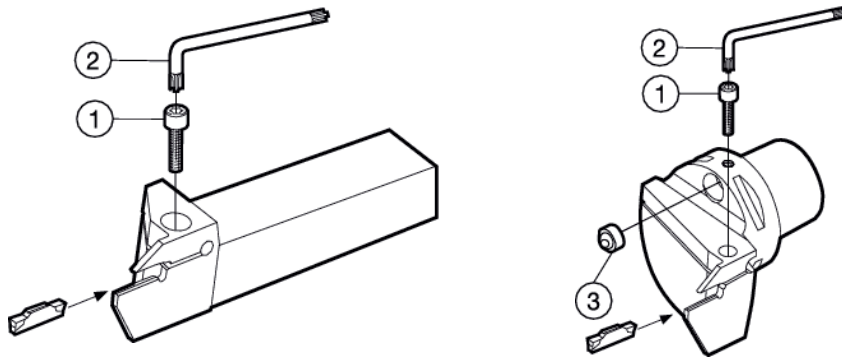
Düse für Coromant Capto Capto® Schneidköpfe

Schneidkopfgröße	Düse
C3-C4	5691 029-06
C5-C6	5691 029-02

Schafthalter		Coromant Capto®	1	2
Metrisch	Zoll		Spannschraube	Schlüssel (Torx Plus)
R/LF123J20-2525B-040BM	R/LF123J079-16B-040BM		5512 044-01 ¹⁾	5680 043-17 (30IP)
R/LF123J20-2525B-180BM	R/LF123J079-16B-180BM			
R/LF123J25-2525B-060BM	R/LF123J100-16B-060BM		5512 044-01 ¹⁾	5680 043-17 (30IP)
R/LF123J25-2525B-085BM	R/LF123J100-16B-085BM			
R/LF123J25-2525B-120BM	R/LF123J100-16B-120BM			
R/LF123J25-2525B-175BM	R/LF123J100-16B-175BM			
		C4-R/LF123 J25-27067B C5-R/LF123 J25-35067B C6-R/LF123 J25-45067B	3212 012-360	5680 043-17 (30IP)
R/LF123J32-2525BBM	R/LF123J126-16BM		5512 044-01 ¹⁾	5680 043-17 (30IP)
R/LF123J32-3225BBM	R/LF123J126-20BM			
R/LF123J32-3232BBM	R/LF123J126-24BM			
R/LF123K08-2525BCM	R/LF123K032-16CM		5512 044-01 ¹⁾	5680 043-17 (30IP)
R/LF123K13-2525B-040BM	R/LF123K050-16B-040BM		5512 044-01	5680 043-17 (30IP)
R/LF123K13-2525B-058BM	R/LF123K050-16B-058BM			
R/LF123K13-2525B-088BM	R/LF123K050-16B-088BM			
R/LF123K13-2525B-168BM	R/LF123K050-16B-168BM			
	R/LF123K050-16B-220BM			
R/LF123K16-2525BM	R/LF123K063-16BM		5512 044-01 ¹⁾	5680 043-17 (30IP)
R/LF123K16-3225BM	R/LF123K063-20BM			
R/LF123K16-3232BM	R/LF123K063-24BM			
	R/LF123K063-32BM			
R/LF123K20-2525B-040BM	R/LF123K079-16B-040BM		5512 044-01 ¹⁾	5680 043-17 (30IP)
R/LF123K25-2525B-058BM	R/LF123K100-16B-058BM			
R/LF123K25-2525B-088BM	R/LF123K100-16B-088BM			
R/LF123K25-2525B-168BM	R/LF123K100-16B-168BM			
R/LF123K25-2525B-220BM	R/LF123K100-16B-220BM			
R/LF123K25-3225B-088BM	R/LF123K079-16B-040BM		5512 044-01	5680 043-17 (30IP)
R/LF123K25-3225B-168BM	R/LF123K100-16B-058BM			
R/LF123K25-3225B-220BM	R/LF123K100-16B-088BM			
	R/LF123K100-16B-168BM			
	R/LF123K100-16B-220BM			
		C4-R/LF123 K25-27070B C5-R/LF123 K25-35070B C5-R/LF123 K25-45075B	3212 012-360	5680 043-17 (30IP)
R/LF123K32-2525BM	R/LF123K126-16BM		5512 044-01 ¹⁾	5680 043-17 (30IP)
R/LF123K32-3225BM	R/LF123K126-20BM			
R/LF123K32-3232BM	R/LF123K126-24BM			
	R/LF123K126-32BM			
R/LF123L15-2525B-075BM	R/LF123L110-20B-075BM		5512 044-01	5680 043-17 (30IP)
R/LF123L15-2525B-140BM	R/LF123L110-20B-140BM			
R/LF123L16-2525BM	R/LF123L063-16BM		5512 044-01 ¹⁾	5680 043-17 (30IP)
R/LF123L25-2525BM	R/LG123L100-16BM			
R/LF123L25-3225BM	R/LF123L100-20BM			
R/LF123L25-2525B-050BM				
R/LF123L28-2525B-075BM				
R/LF123L28-2525B-140BM				
R/LF123L28-3225B-075BM			5512 044-01	5680 043-17 (30IP)
R/LF123L28-3225B-140BM				
		C5-R/LF123 L25-35070B C6-R/LF123 L25-45075B	3212 012-360	5680 043-17 (30IP)
R/LF123L32-3225BM	R/LF123L138-20BM		5512 044-01 ¹⁾	5680 043-17 (30IP)
R/LF123L32-3232BM	R/LF123L138-24BM			
R/LF123G07-2525C	R/LG123G028-16C		3212 012-310	5680 043-17 (30IP)
R/LF123M32-3232B	R/LF123M125-20B		5512 044-01	5680 048-07 (30IP)
NF123M32-4040B	NF123M125-24B			
R/LF123M32-4040B	R/LF123M125-24B			

1) Für Halter ohne M in der Bestellnummer, Schraube 3212 012-360 verwenden

CoroCut® Schraubspannung, Außenbearbeitung



Düse für Coromant Capto Capto® Schneidköpfe

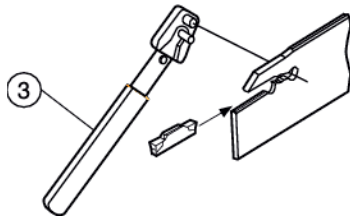
Schneidkopfgröße	3 Düse
C3-C4	5691 029-06
C5-C6	5691 029-02

Schafthalter	Coromant Capto®	1	2
Metrisch	Zoll	Spannschraube	Schlüssel (Torx Plus)
R/LF123M50-4040B	R/LF123M200-24B	5512 046-01	5680 048-15 (25IP)
R/LF123R32-3232B	R/LF123R125-20B	5512 044-01	5680 048-07 (30IP)
NF123R32-4040B	NF123R125-24B		
R/LF123R32-4040B	R/LF123R125-24B		
R/LF123R50-4040B	R/LF123R200-24B	3212 012-311	5680 048-15 (25IP)
R/LG123H13-2525B-040BM	R/LF123H050-2525B-040BM	5512 044-01	5680 043-17(30IP)
R/LG123H13-2525B-052BM	R/LF123H050-2525B-052BM		
R/LG123H13-2525B-064BM	R/LF123H050-2525B-064BM		
R/LG123H13-2525B-092BM	R/LF123H050-2525B-092BM		
R/LG123H13-2525B-132BM	R/LF123H050-2525B-132BM		
R/LG123H13-2525B-220BM	R/LF123H050-2525B-220BM		
R/LG123H13-2525B-300BM	R/LF123H050-2525B-300BM		
R/LG123H20-2525B-064BM	R/LG123H079-16B-064BM	5512 044-01 ¹⁾	5680 043-17 (30IP)
R/LG123H20-2525B-092BM	R/LG123H079-16B-092BM		
R/LG123H20-2525B-132BM	R/LG123H079-16B-132BM		
R/LG123K08-2525CM	R/LG123K032-16CM	5512 044-01 ¹⁾	5680 043-17 (30IP)
R/LG123K20-2525B-058BM	R/LG123K079-16B-058BM	5512 044-01 ¹⁾	5680 043-17 (30IP)
R/LG123K20-2525B-088BM	R/LG123K079-16B-088BM		
R/LG123K20-2525B-168BM	R/LG123K079-16B-168BM		
R/LG123L20-2525B-050BM	R/LG123L079-16B-050BM	5512 044-01 ¹⁾	5680 043-17 (30IP)
R/LG123L20-2525B-075BM	R/LG123L079-16B-075BM		
R/LG123L20-2525B-140BM	R/LG123L079-16B-140BM		
R/LX123J16-2525B-070	R/LX123J062-16B-070	3212 012-360	5680 043-17 (30IP)
R/LX123J16-3232B-070	R/LX123J062-20B-070		
R/LX123L25-2525B-007	R/LX123L095-16B-007	3212 012-360	5680 043-17 (30IP)
R/LX123L25-3232B-007	R/LX123L095-20B-007		
R/LX123G04-2020B-045	R/LX123G016-12B-045	3212 012-309	5680 043-15 (25IP)
R/LX123G04-2525B-045	R/LX123G016-16B-045		
R/LX123J05-2020B-045	R/LX123J020-12B-045	3212 012-360	5680 043-17 (30IP)
R/LX123J05-2525B-045	R/LX123J020-16B-045		
R/LX123J05-3225B-045	R/LX123J020-20B-045		

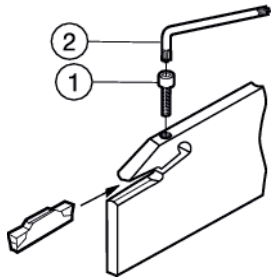
¹⁾ Für Halter ohne M in der Bestellnummer, Schraube 3212 012-360 verwenden

CoroCut® Einsatz zum Abstechen

Federspannung



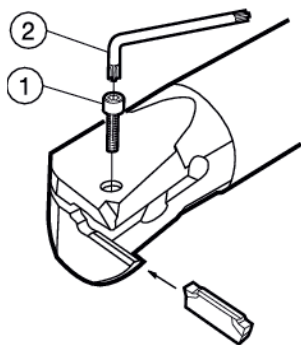
Schraubspann-System



	1	2	3 ¹⁾
Einsatz zum Abstechen	Spannschraube	Schlüssel (Torx Plus)	Schlüssel für Wende-schneidplatte
N123D15-21A2	-	-	5680 058-01
N123D15-25A2	-	-	-
N123E15-21A2	-	-	5680 058-01
N123E20-25A2	-	-	-
N123F30-21A2	-	-	5680 058-01
N123F55-25A2	-	-	-
N123G30-21A2	-	-	5680 058-01
N123G55-25A2	-	-	-
N123H55-25A2	-	-	5680 058-01
N123J55-25A2	-	-	5680 058-01
N123K55-25A2	-	-	5680 058-01
R/LF123E25-25B1	3212 012-259	5680 043-14 (20IP)	-
R/LF123F25-25B1	3212 012-259	5680 043-14 (20IP)	-
R/LF123G25-25B1	3212 012-259	5680 043-14 (20IP)	-
R/LF123H32-25B1	3212 012-259	5680 043-14 (20IP)	-

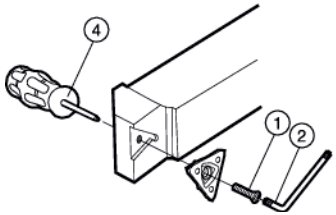
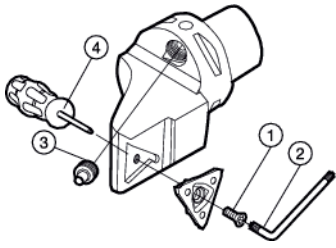
1) Zusatzteile Lieferung auf gesonderte Bestellung

CoroCut® Schraubspannung, Innenbearbeitung



Schafthalter		1	2
Metrisch	Zoll	Spannschraube	Schlüssel (Torx Plus)
R/LAG123D 04-16B	R/LAG123D 016-10B	5512 031-03	5680 043-13 (15IP)
R/LAG123D 05-20B	R/LAG123D 020-12B	5512 031-03	5680 043-13 (15IP)
R/LAG123E 05-20B	R/LAG123E 020-12B	5512 031-03	5680 043-13 (15IP)
R/LAG123E 07-25B	R/LAG123E 028-16B	3212 012-259	5680 043-14 (20IP)
R/LAG123E 09-32B	R/LAG123E 035-20B	3212 012-259	5680 043-14 (20IP)
R/LAG123G 06-20B	R/LAG123G 024-12B	5512 031-03	5680 043-13 (15IP)
R/LAG123G 07-25B	R/LAG123G 030-16B	3212 012-309	5680 043-15 (25IP)
R/LAG123G 09-32B	R/LAG123G 037-20B	3212 012-309	5680 043-15 (25IP)
R/LAG123G 11-40B	R/LAG123G 043-24B	3212 012-309	5680 043-15 (25IP)
R/LAG123H 07-25B	R/LAG123H 030-16B	3212 012-309	5680 043-15 (25IP)
R/LAG123H 10-32B	R/LAG123H 039-20B	3212 012-359	5680 043-17 (30IP)
R/LAG123H 11-40B	R/LAG123H 043-24B	3212 012-360	5680 043-17 (30IP)
R/LAG123H 13-50B	R/LAG123H 051-32B	3212 012-360	5680 043-17 (30IP)
R/LAG123J 08-25B	R/LAG123J 031-16B	3212 012-309	5680 043-15 (25IP)
R/LAG123J 11-32B	R/LAG123J 045-20B	3212 012-359	5680 043-17 (30IP)
R/LAG123J 11-40B	R/LAG123J 045-24B	3212 012-360	5680 043-17 (30IP)
R/LAG123J 13-50B	R/LAG123J 051-32B	3212 012-360	5680 043-17 (30IP)
R/LAG123K 11-40B	R/LAG123K 043-24B	3212 012-360	5680 043-17 (30IP)
R/LAG123K 13-50B	R/LAG123K 053-32B	3212 012-360	5680 043-17 (30IP)
R/LAX123J 25-40B-020	R/LAX123J094-24B-020	5512-044-01	5680 043-17 (30IP)
R/LAX123L 25-40B-020	R/LAX123L094-24B-020	5512-044-01	5680 043-17 (30IP)

CoroCut® 3 System zur Außenbearbeitung



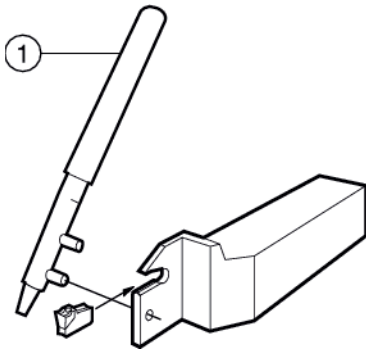
Schafthalter	Coromant Capto®		1	2	4 ¹⁾
	Metrisch	Zoll	Spann- schraube	Schlüssel (Torx Plus)	Schrauben- dreher ¹⁾
	RF123T06-1010BM	RF123T023-06BM	-	5513 020-63 ²⁾	5680 049-02 (15IP) 5680 046-01 (8IP)
	RF123T06-1212BM	RF123T023-08BM	-	5513 020-62 ³⁾	5680 049-02 (15IP) 5680 046-01 (8IP)
	RF123T06-1616BM	RF123T023-10BM			
			C3-RF123T06-22045BM	5513 020-62 ³⁾	5680 049-02 (15IP) 5680 046-01 (8IP)
			C4-RF123T06-27060BM		
	RF123T06-2020BM	RF123T023-12BM	-	5513 020-62 ³⁾	5680 049-02 (15IP) 5680 046-01 (8IP)
	RF123T06-2525BM	RF123T023-16BM			
	RF123T06-3232BM	RF123T023-20BM			
	LF123U06-1010BM	LF123U023-06BM	-	5513 020-63 ²⁾	5680 049-02 (15IP) 5680 046-01 (8IP)
	LF123U06-1212BM	LF123U023-08BM	-	5513 020-62 ³⁾	5680 049-02 (15IP) 5680 046-01 (8IP)
	LF123U06-1616BM	LF123U023-10BM			
			C3-LF123U06-22045BM	5513 020-62 ³⁾	5680 049-02 (15IP) 5680 046-01 (8IP)
			C4-LF123U06-27060BM		
	LF123U06-2020BM	LF123U023-12BM	-	5513 020-62 ³⁾	5680 049-02 (15IP) 5680 046-01 (8IP)
	LF123U06-2525BM	LF123U023-16BM			
	LF123U06-3232BM	LF123U023-20BM			

- 1) Zubehör ist gesondert zu bestellen
- 2) Für Halter ohne M in der Bestellnummer, Schraube 5513 020-09 verwenden
- 3) Für Halter ohne M in der Bestellnummer, Schraube 5513 020-32 verwenden

Düse für Coromant Capto Capto® Schneidköpfe

Schneidkopfgröße	Düse
C3-C4	5691 029-08
C5-C6	5691 029-02

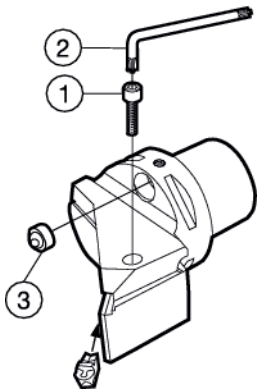
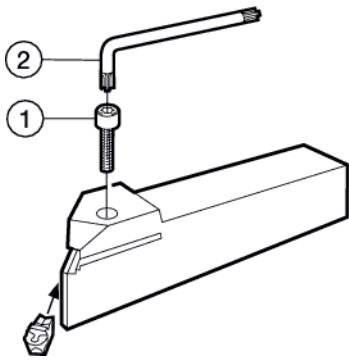
T-Max Q-Cut® Werkzeuge mit Federspannung zur Außenbearbeitung



Schafthalter		Schlüssel für Wende-schneidplatte	Schafthalter		Schlüssel für Wende-schneidplatte
Metrisch	Zoll		Metrisch	Zoll	
R/L151.20-0808-20	R151.20-06-20	5680 057-021	R/L151.21-1616-20	R/L151.21-10-20	5680 057-021
R/L151.20-1010-20	R/L151.20-08-20		R/L151.21-1616-25	R/L151.21-10-25	
R/L151.20-1212-20	R/L151.20-10-20		R/L151.21-2020-25	R/L151.21-12-25	
R/L151.20-1612-20			R/L151.21-2020-30	R/L151.21-12-30	
R/L151.20-1616-20			R/L151.21-2525-30	R/L151.21-16-30	
R/L151.20-1212-25	R/L151.20-08-25		R/L151.21-3225-30		
R/L151.20-1612-25	R/L151.20-10-25			151.2-12-20-5	
R/L151.20-1616-25	R/L151.20-12-25			151.2-12-25-5	
R/L151.20-2012-25				151.2-17-25-5	
R/L151.20-2016-25				151.2-17-30-5	
R/L151.20-2020-25			151.2-22-30-5		
R/L151.20-2525-25			151.2-28-30-5		
R/L151.20-1612-30	R/L151.20-10-30			5680 057-011	
R/L151.20-1616-30	R/L151.20-12-30	R/L151.20-2020-40	R/L151.20-12-40		
R/L151.20-2012-30	R/L151.20-12-30A	R/L151.21-2020-40	R/L151.21-12-40		
R/L151.20-2016-30		R/L151.21-2525-40	R/L151.21-16-40		
R/L151.20-2020-30		R/L151.21-3225-40	R/L151.21-16-40A		
R/L151.20-2020-30A		R/L151.21-2525-40A	R/L151.21-20-40		
R/L151.20-2525-30A		R/L151.21-3225-40A			
		R/L151.21-3232-40			
		R/L151.21-2525-50	R/L151.21-16-50		
		R/L151.21-3232-50	R/L151.21-20-50		
		R/L151.21-2525-60	R/L151.21-16-60		
		R/L151.21-3232-60	R/L151.21-20-60		
			151.2-28-40-5		
			151.2-28-60-5		

Kassetten	Schlüssel für Wendeschneidplatte	Kassetten	Schlüssel für Wendeschneidplatte
151.2-27-20-8	5680 057-021	151.2-27-40-8	5680 057-011
151.2-27-25-8		151.2-27-50-8	
151.2-27-30-8		151.2-40-40-8	
151.2-36-30-8		151.2-40-50-8	
151.2-40-20-8		151.2-56-50-8	
151.2-40-25-8		151.2-56-60-8	
151.2-40-30-8		151.2-21-40	
R/L151.2-16-30-8		151.2-25-40	
151.2-21-20		151.2-25-50	
151.2-21-25		151.2-25-60	
151.2-25-25			
151.2-21-30			
151.2-25-30			

T-Max Q-Cut® Schraubspannung, Außenbearbeitung

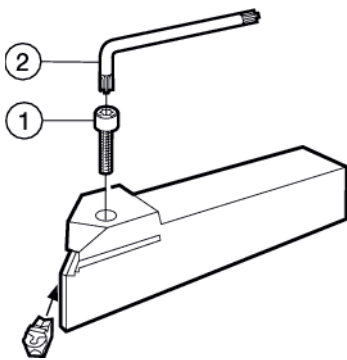


Schaffhalter		Coromant Capto®		1	2
Metrisch	Zoll			Spannschraube	Schlüssel (Torx Plus)
	R/LB151.22-24-20			3212 012-259	5680 043-14 (20IP)
	R/LB151.22-24-25				
	R/LB151.22-24-30				
	R/LB151.22-24-40			3212 012-360	5680 043-17 (30IP)
	R/LB151.22-24-50				
	R/LB151.22-24-60				
	R/LB151.22-24-80				
R/LF151.22-1616-20	R/LF151.22-10-20	C3-R/LF151.22-22045-20		3212 012-259	5680 043-14 (20IP)
R/LF151.22-2020-20	R/LF151.22-12-20	C4-R/LF151.22-27050-20			
R/LF151.22-2525-20	R/LF151.22-16-20	C5-R/LF151.22-35060-20			
R/LF151.22-1616-25	R/LF151.22-10-25	C3-R/LF151.22-22050-25		3212 012-259	5680 043-14 (20IP)
R/LF151.22-2020-25	R/LF151.22-12-25	C4-R/LF151.22-27050-25			
R/LF151.22-2525-25	R/LF151.22-16-25	C5-R/LF151.22-35060-25			
R/LF151.22-1616-30	R/LF151.22-12-30	C3-R/LF151.22-22050-30		3212 012-259	5680 043-14 (20IP)
R/LF151.22-2020-30	R/LF151.22-16-30	C4-R/LF151.22-27055-30			
R/LF151.22-2525-30	R/LF151.22-20-30	C5-R/LF151.22-35060-30			
R/LF151.22-3225-30		C6-R/LF151.22-45065-30			
R/LF151.22-2020-40	R/LF151.22-12-40	C4-R/LF151.22-27055-40		3212 012-360	5680 043-17 (30IP)
R/LF151.22-2525-40	R/LF151.22-16-40	C5-R/LF151.22-35060-40			
R/LF151.22-3225-40	R/LF151.22-20-40	C6-R/LF151.22-45065-40			
R/LF151.22-2525-50	R/LF151.22-16-50	C4-R/LF151.22-27055-50		3212 012-360	5680 043-17 (30IP)
R/LF151.22-3225-50	R/LF151.22-20-50	C5-R/LF151.22-35060-50			
		C6-R/LF151.22-45065-50			
		C8-R/LF151.22-42080-50			
R/LF151.22-2525-60	R/LF151.22-16-60	C5-R/LF151.22-35060-60		3212 012-360	5680 043-17 (30IP)
R/LF151.22-3225-60	R/LF151.22-20-60	C6-R/LF151.22-45065-60			
		C8-R/LF151.22-42080-60			
		C8-R/LF151.22-42080-80		3212 012-360	5680 043-17 (30IP)
R/LS151.22-2525-20	R/LS151.22-12-20	C3-R/LS151.22-22045-20		3212 012-259	5680 043-14 (20IP)
		C4-R/LS151.22-27050-20			
R/LS151.22-2525-25	R/LS151.22-12-25	C3-R/LS151.22-22050-25		3212 012-259	5680 043-14 (20IP)
	R/LS151.22-16-25	C4-R/LS151.22-27050-25			
		C4-R/LS151.22-35060-25			
R/LS151.22-2020-30	R/LS151.22-12-30	C3-R/LS151.22-22050-30		3212 012-259	5680 043-14 (20IP)
R/LS151.22-2525-30	R/LS151.22-16-30	C4-R/LS151.22-27055-30			
	R/LS151.22-20-30	C5-R/LS151.22-35060-30			
R/LS151.22-2020-40	R/LS151.22-16-40	C4-R/LS151.22-27055-40		3212 012-360	5680 043-17 (30IP)
R/LS151.22-2525-40	R/LS151.22-20-40	C5-R/LS151.22-35060-40			
R/LS151.22-2525-50	R/LS151.22-20-50	C4-R/LS151.22-27055-50		3212 012-360	5680 043-17 (30IP)
R/LS151.22-3225-50		C5-R/LS151.22-35060-50			
R/LS151.22-2525-60	R/LS151.22-20-60	C5-R/LS151.22-35060-60		3212 012-360	5680 043-17 (30IP)
R/LS151.22-3225-60		C6-R/LS151.22-45065-60			
	R/LB151.23-24-20			3212 012-059	5680 043-14 (20IP)
	R/LB151.23-24-25				
	R/LB151.23-24-30				
	R/LB151.23-24-40			3212 012-360	5680 043-17 (30IP)
	R/LB151.23-24-50				
	R/LB151.23-24-60				
	R/LB151.23-24-80				
R/LF151.23-1616-20M1	R/LF151.23-08-20	C3-R/LF151.23-22050-20		3212 012-309	5680 043-14 (20IP)
R/LF151.23-2020-20M1	R/LF151.23-10-20	C4-R/LF151.23-27055-20			
R/LF151.23-2525-20M1		C5-R/LF151.23-35060-20			
R/LF151.23-1616-25M1	R/LF151.23-08-25	C3-R/LF151.23-22055-25		3212 012-259	5680 043-14 (20IP)
R/LF151.23-2020-25M1	R/LF151.23-10-25	C4-R/LF151.23-27060-25			
R/LF151.23-2525-25M1	R/LF151.23-12-25	C5-R/LF151.23-35060-25			
R/LF151.23-1616-30M1	R/LF151.23-12-30	C3-R/LF151.23-22055-30		3212 012-310	5680 043-15 (25IP)
R/LF151.23-2020-30M1	R/LF151.23-16-30	C4-R/LF151.23-27060-30			
R/LF151.23-2525-30M1	R/LF151.23-20-30	C5-R/LF151.23-35060-30			
R/LF151.23-3225-30M1		C6-R/LF151.23-45065-30			
R/LF151.23-2020-40M1	R/LF151.23-12-40	C4-R/LF151.23-27067-40		3212 012-360	5680 043-17 (30IP)
R/LF151.23-2525-40M1	R/LF151.23-16-40	C5-R/LF151.23-35067-40			
R/LF151.23-3225-40M1	R/LF151.23-20-40	C6-R/LF151.23-45067-40			
R/LF151.23-2525-50M1	R/LF151.23-16-50	C5-R/LF151.23-35075-50		3212 012-360	5680 043-17 (30IP)
R/LF151.23-3225-50M1	R/LF151.23-20-50	C6-R/LF151.23-45075-50			
R/LF151.23-2525-60M1	R/LF151.23-16-60	C5-R/LF151.23-35075-60		3212 012-360	5680 043-17 (30IP)
R/LF151.23-3225-60M1	R/LF151.23-20-60	C6-R/LF151.23-45080-60			

Düse für Coromant Capto Capto® Schneidköpfe

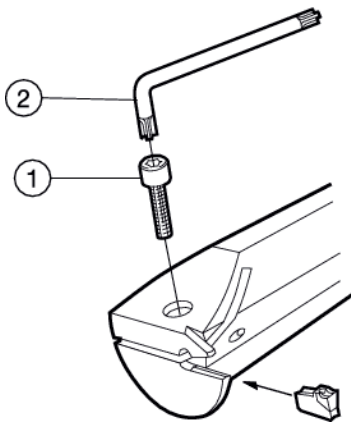
Schneidkopfgröße	3	Düse
C3-C4	5691 029-01	
C5-C6	5691 029-02	

T-Max Q-Cut® Schraubspannung, Außenbearbeitung



Schafthalter		1	2
Metrisch	Zoll	Spannschraube	Schlüssel (Torx Plus)
R/LF151.37-2525-024B25	R/LF151.37-16-024B25	3212 012-360	5680 043-17 (30IP)
R/LF151.37-2525-029B25	R/LF151.37-16-029B25		
R/LF151.37-2525-034B25	R/LF151.37-16-034B25		
R/LF151.37-2525-044B25	R/LF151.37-16-044B25		
R/LF151.37-2525-064B25	R/LF151.37-16-064B25		
	R/LF151.37-16-094B25		
	R/LF151.37-16-132B25		
R/LF151.37-2525-027B30	R/LF151.37-16-027B30	3212 012-360	5680 043-17 (30IP)
R/LF151.37-2525-032B30	R/LF151.37-16-032B30		
R/LF151.37-2525-042B30	R/LF151.37-16-042B30		
R/LF151.37-2525-062B30	R/LF151.37-16-062B25		
R/LF151.37-2525-112B30	R/LF151.37-16-112B30		
R/LF151.37-2525-025B40	R/LF151.37-16-025B40	3212 012-360	5680 043-17 (30IP)
R/LF151.37-2525-030B40	R/LF151.37-16-030B40		
R/LF151.37-2525-045B40	R/LF151.37-16-045B40		
R/LF151.37-2525-070B40	R/LF151.37-16-070B40		
R/LF151.37-2525-090B40	R/LF151.37-16-090B40		
R/LF151.37-2525-023B50	R/LF151.37-16-023B50	3212 012-360	5680 043-17 (30IP)
R/LF151.37-2525-038B50	R/LF151.37-16-038B50		
R/LF151.37-2525-058B50	R/LF151.37-16-058B50		
R/LF151.37-2525-088B50	R/LF151.37-16-088B50		
R/LG151.37-2525-027B30	R/LF151.37-16-027B30	3212 012-360	5680 043-17 (30IP)
R/LG151.37-2525-032B30	R/LF151.37-16-032B30		
R/LG151.37-2525-042B30	R/LF151.37-16-042B30		
R/LG151.37-2525-023B50	R/LF151.37-16-023B50	3212 012-360	5680 043-17 (30IP)
R/LG151.37-2525-038B50	R/LF151.37-16-038B50		
NF151.42-2525-40		3212 012-360	5680 043-17 (30IP)
NF151.42-3225-40			
NF151.42-2525-60		3212 012-360	5680 043-17 (30IP)
NF151.42-3225-60			
R/LF151.42-2525-40		3212 012-360	5680 043-17 (30IP)
R/LF151.42-3225-40			
R/LF151.42-2525-60		3212 012-360	5680 043-17 (30IP)
R/LF151.42-3225-60			

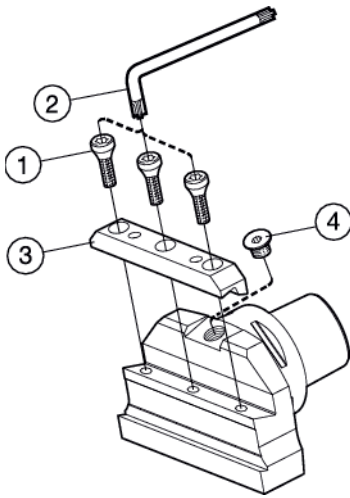
T-Max Q-Cut® Schraubspannung, Innenbearbeitung



Schafthalter		1	2
Metrisch	Zoll	Spannschraube	Schlüssel (Torx Plus)
R/LAF151.37-25-024A25		3212 012-257	5680 043-14 (20IP)
R/LAF151.37-25-024A30		3212 012-257	5680 043-14 (20IP)
R/LAF151.37-25-025A30			
R/LAF151.37-40-035A50		3212 012-359	5680 043-17 (30IP)
R/LAF151.37-40-036A50			
R/LAG151.22-25R-20	R/LAG151.22-D16-20	3212 012-257	5680 043-14 (20IP)
R/LAG151.22-32S-20	R/LAG151.22-D20-20		
R/LAG151.22-25R-25	R/LAG151.22-D15-25	3212 012-257	5680 043-14 (20IP)
R/LAG151.22-32S-25	R/LAG151.22-D20-25		
R/LAG151.22-40T-25	R/LAG151.22-D24-25		
R/LAG151.22-25R-30	R/LAG151.22-D16-30	3212 012-257	5680 043-14 (20IP)
R/LAG151.22-32S-30	R/LAG151.22-D20-30		
R/LAG151.22-40T-30	R/LAG151.22-D24-30		
R/LAG151.22-32S-40	R/LAG151.22-D20-40	3212 012-359	5680 043-17 (30IP)
R/LAG151.22-40T-40	R/LAG151.22-D24-40		
R/LAG151.22-50U-40	R/LAG151.22-D32-40		
R/LAG151.22-32S-50	R/LAG151.22-D20-50	3212 012-359	5680 043-17 (30IP)
R/LAG151.22-40T-50	R/LAG151.22-D24-50		
R/LAG151.22-50U-50	R/LAG151.22-D32-50		
R/LAG151.22-40T-60	R/LAG151.22-D20-60	3212 012-359	5680 043-17 (30IP)
R/LAG151.22-50U-60	R/LAG151.22-D24-60		
	R/LAG151.22-D32-60		
	R/LAG151.32-D12M59-25	5512 031-04	5680 043-10 (8IP)
R/LAG151.32-16M-20	R/LAG151.32-D10-20	5512 031-03	5680 043-13 (15IP)
R/LAG151.32-20Q-20	R/LAG151.32-D12-20		
R/LAG151.32-16M-25	R/LAG151.32-D10-25	5512 031-03	5680 043-13 (15IP)
R/LAG151.32-20Q-25	R/LAG151.32-D12-25		
R/LAG151.32-25R-25	R/LAG151.32-D16-25		
R/LAG151.32-32S-25	R/LAG151.32-D20-25		
R/LAG151.32-20Q-30	R/LAG151.32-D12-30	5512 031-03	5680 043-13 (15IP)
R/LAG151.32-25R-30	R/LAG151.32-D16-30		
R/LAG151.32-32S-30	R/LAG151.32-D20-30		
R/LAG151.32-25R-40	R/LAG151.32-D16-40	5512 031-03	5680 043-13 (15IP)
R/LAG151.32-32S-40	R/LAG151.32-D20-40	3212 012-359	5680 043-17 (30IP)
R/LAG151.32-40T-40	R/LAG151.32-D24-40	3212 012-359	5680 043-17 (30IP)
R/LAG151.32-32S-50	R/LAG151.32-D20-50	3212 012-359	5680 043-17 (30IP)
R/LAG151.32-40T-50	R/LAG151.32-D24-50		
R/LAG151.32-40T-60	R/LAG151.32-D24-60	3212 012-359	5680 043-17 (30IP)
R/LAG151.32-16M12-20	R/LAG151.32-D10M47-20	5512 031-07	5680 043-10 (8IP)
R/LAG151.32-16M15-25	R/LAG151.32-D10M59-25	5512 031-04	5680 043-10 (8IP)
R/LAG151.32-20Q16-30	R/LAG151.32-D12M63-30		
R/LAG151.32-20Q18-40	R/LAG151.32-D12Q71-40	5512 031-03	5680 043-10 (8IP)

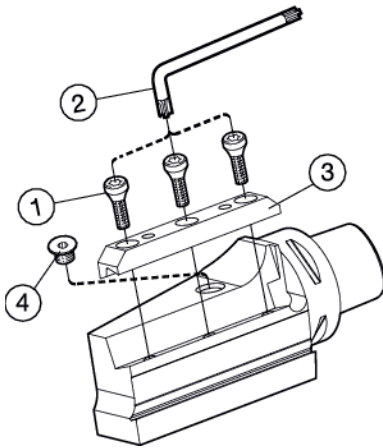
Adapter für CoroCut® und Q-Cut® Kassetten zum Abstechen

Radialeinbau



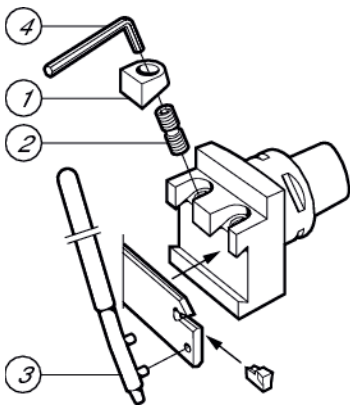
	1	2	3	4	
Halter	Schraube	Schlüssel (mm)	Spannfinger	Verschluss	Optionaler Kühlschmierstoffadapter
C5-APBA-40058-21	3212 010-410	3021 010-060 (6.0)	5412 120-01	5519 055-01	5691 050-011
C6-APBA-60060-25	3212 010-411	3021 010-060 (6.0)	5412 120-02	5519 055-01	5691 050-011
C8-APBA-60068-25	3212 010-411	3021 010-060 (6.0)	5412 120-02	5412 120-01	5691 050-011

Axialeinbau



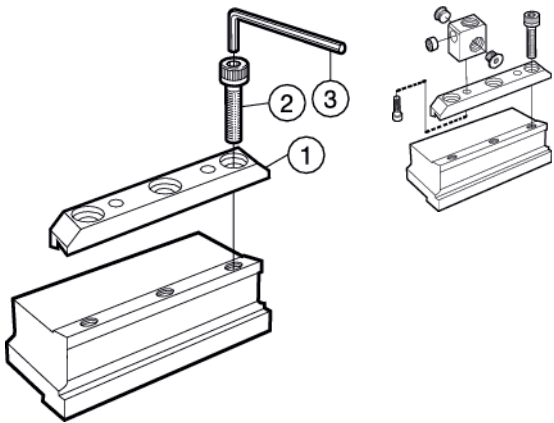
	1	2	3	4	
Halter	Schraube	Schlüssel (mm)	Spannfinger	Verschluss	Optionaler Kühlschmierstoffadapter
C5-APBR/L-31095-21	3212 010-410	3021 010-060 (6.0)	5412 120-01	5519 055-01	5691 050-011
C6-APBR/L-37147-25	3212 010-411	3021 010-060 (6.0)	5412 120-02	5519 055-01	5691 050-011
C8-APBR/L-46155-25	3212 010-411	3021 010-060 (6.0)	5412 120-02	5519 055-01	5691 050-011

Adapter für CoroCut® und T-Max Q-Cut® Kassetten zum Abstechen



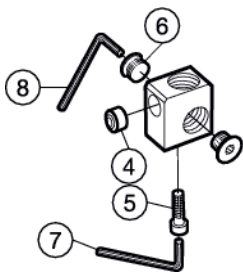
	1	2	3	4
Adapter	Spannfinger	Spannschraube	Schlüssel für Wendschneidplatte	Schlüssel (Größe, mm)
C4-151.2-25040-21	150.2-820	269-833	5680 057-021	3021 010-040 (4.0)
C5-151.2-33040-21	150.2-820	269-833	5680 057-011	3021 010-040 (4.0)
C6-151.2-43045-21				
C5-151.2-33040-25				
C6-151.2-43045-25				

Werkzeugblock für CoroCut® mit einer und zwei Schneiden T-Max Q-Cut®



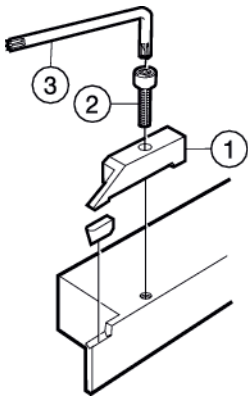
Spannblock		1	2	3
Metrisch	Zoll	Spannfinger	Spannschraube	Schlüssel (mm)
151.2-2020-21M	151.2-12-21M	5412 120-01	3212 010-410	3021 010-060 (6.0)
151.2-2520-21				
151.2-2020-25	151.2-16-25M	5412 120-02	3212 010-411	3021 010-060 (6.0)
151.2-2520-25	151.2-20-25M			
151.2-3232-25	151.2-24-25M			
151.2-3232-45	151.2-20-45	5412 120-03	3212 010-412	3021 010-060 (6.0)
151.2-4040-45	151.2-24-45			
	HDG-50-93	HDG-50-93-Clamp	3212 010-464	3021 010-080 (8.0)

Kühlschmierstoff-Anschluß



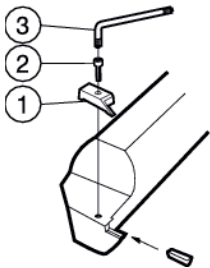
4	5	6	7	8
Düse	Montageschraube	Verschluss	Schlüssel (mm)	Schlüssel (mm)
5691 029-02	3212 010-358	5519 055-01	3021 010-050 (5.0)	3021 010-060 (6.0)

T-Max® Werkzeuge für Keramikplatten - Innen- und Außenbearbeitung



	1	2	3
Keramik-Schafthalter	Spannfinger Rechtsausführung	Spannfinger Linksausführung	Spannschraube
R/LF150.23-3244M-0317C	5412 117-01	5412 117-02	3212 036-506
R/LF150.23-3244M-0476C	5412 117-05	5412 117-06	3212 036-506
R/LF150.23-3244M-0635C	5412 117-09	5412 117-10	3212 036-506
R/LF150.23-3244M-0952C	5412 117-17	5412 117-18	3212 036-506
			Schlüssel (Torx Plus)
			5680 043-17 (30IP)
			5680 043-17 (30IP)
			5680 043-17 (30IP)
			5680 043-17 (30IP)

T-Max® Keramik-Bohrstangen



	1	2	3
Bohrstange	Spannfinger Rechtsausführung	Spannfinger Linksausführung	Spannschraube
R/LAG150.23-50V-0317C	5412 115-01	5412 115-02	3212 106-504
R/LAG150.23-50V-0476C	5412 115-05	5412 115-06	3212 106-504
R/LAG150.23-50V-0635C	5412 115-03	5412 115-04	3212 106-504
R/LAG150.23-50V-0952C	5412 115-11	5412 115-12	3212 106-504
			Schlüssel (Torx Plus)
			5680 043-16 (27IP)
			5680 043-16 (27IP)
			5680 043-16 (27IP)
			5680 043-16 (27IP)